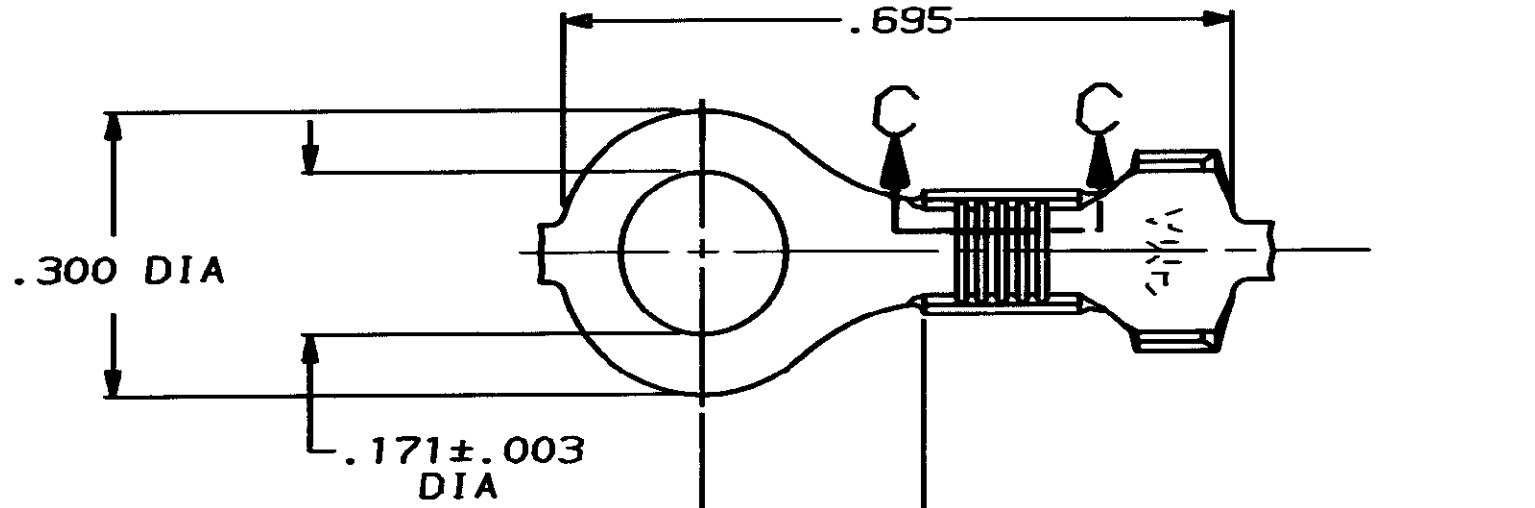


THIS DRAWING IS UNPUBLISHED. RELEASED FOR PUBLICATION, 19
 © COPYRIGHT 19 BY AMP INCORPORATED. ALL INTERNATIONAL RIGHTS RESERVED.

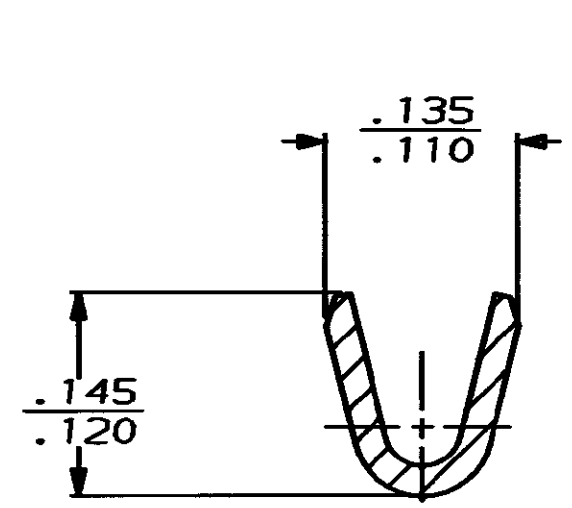
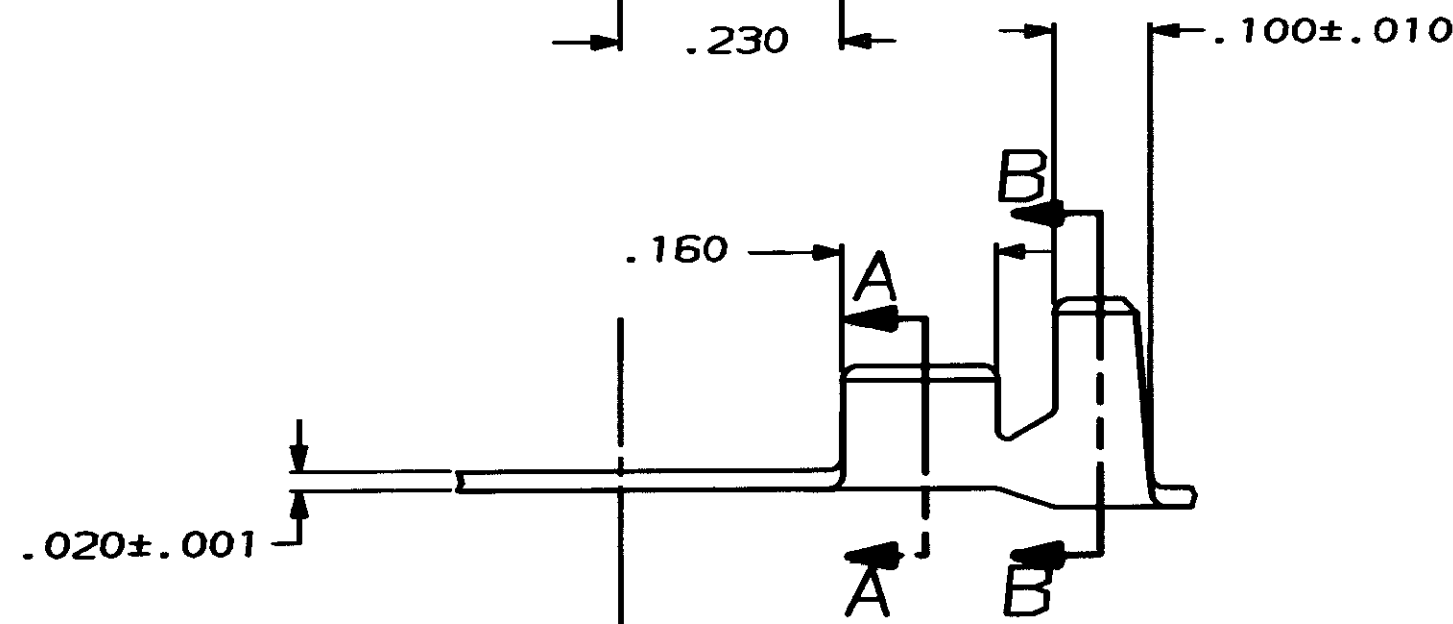
| LOC | DIST | P | F | ZONE | LTR | DESCRIPTION | DATE | APPD |
|-----|------|---|---|------|-----|---------------------|-------|---------|
| AF | 50 | | | | F | REDRAWN PER AF-6568 | PF/JR | 2/28/90 |

D

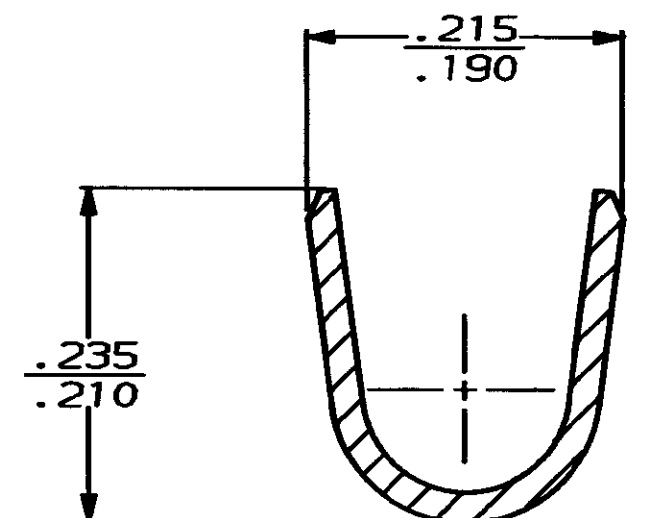


1 CONTINUOUS STRIP ON REELS

C

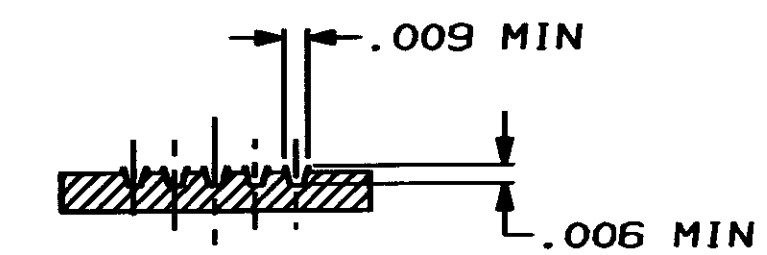


SECTION A-A
SCALE 8:1



SECTION B-B
SCALE 8:1

B



SECTION C-C
SCALE 10:1

A

| | | | |
|--|-------------------------|---|---------------------|
| | .125-.165 DIA | 20-16 AWG | 60322-2 |
| | INSULATION RANGE | MAGNET WIRE RANGE | PART NO |
| DO NOT SCALE PRINT. UNLESS SPECIFIED DIMENSIONS IN INCHES TOLERANCES ON: 2 PLC DEC ± - 3 PLC DEC ± .015 ANGLES ± - | DR 3/1/90 P FORTNEY | AMP INCORPORATED Harrisburg, Pa. 17105 | |
| MATERIAL #2 HARD BRASS | CHK 3/1/90 NS FEVER | | |
| FINISH .000080 MIN TIN PL PER MIL-T-10727 | APPD 3/1/90 G YETTER | NAME #8 STUD, RING, AMPLIVAR | |
| | APPD 3/10/90 R KUZD | SIZE B | CAGE CODE 00779 |
| | PRODUCT SPEC - | SCALE 5:1 | DRAWING NO 60322 |
| | APPLICATION SPEC - | | SHEET 1 OF 1 |
| | WEIGHT - | | |

CUSTOMER DRAWING